

Contents

1. Cautions-----	2
2. Vehicle structure-----	3
3. Bike Assembling-----	4-6
4. How to use-----	7-10
5. Daily maintenance-----	11-18



1. Note: the product pictures are for illustration purpose only. These pictures may not reflect the exact out looking of actual product. Specifications may change.

Before using the bike, please must read the manual carefully and inspect whether the parts are in good conditions, to ensure children and riding safety. If there is any problem, please contact the dealer immediately.

2. Children are required to use the bike under the supervision of parents or adults.

3. The bike should be parked in a dry and ventilated place. Do not rinse the bike with water. It is recommended to wipe it with a cloth.

4. Please comply with local laws or regulations; Please slow down and increase the braking distance in rainy/snowy day or slippery road, to sure the safety.

5. Non-professional maintenance persons are prohibited from disassembling and replacing parts.

6. The bike is forbidden to do stunt riding.

7. Please inspect and sure all screws are tight before riding.

8. The controller is equipped with an overload protection function. It will cut off the power automatically once overloaded. And when the power turns to normal, the power will turn on.

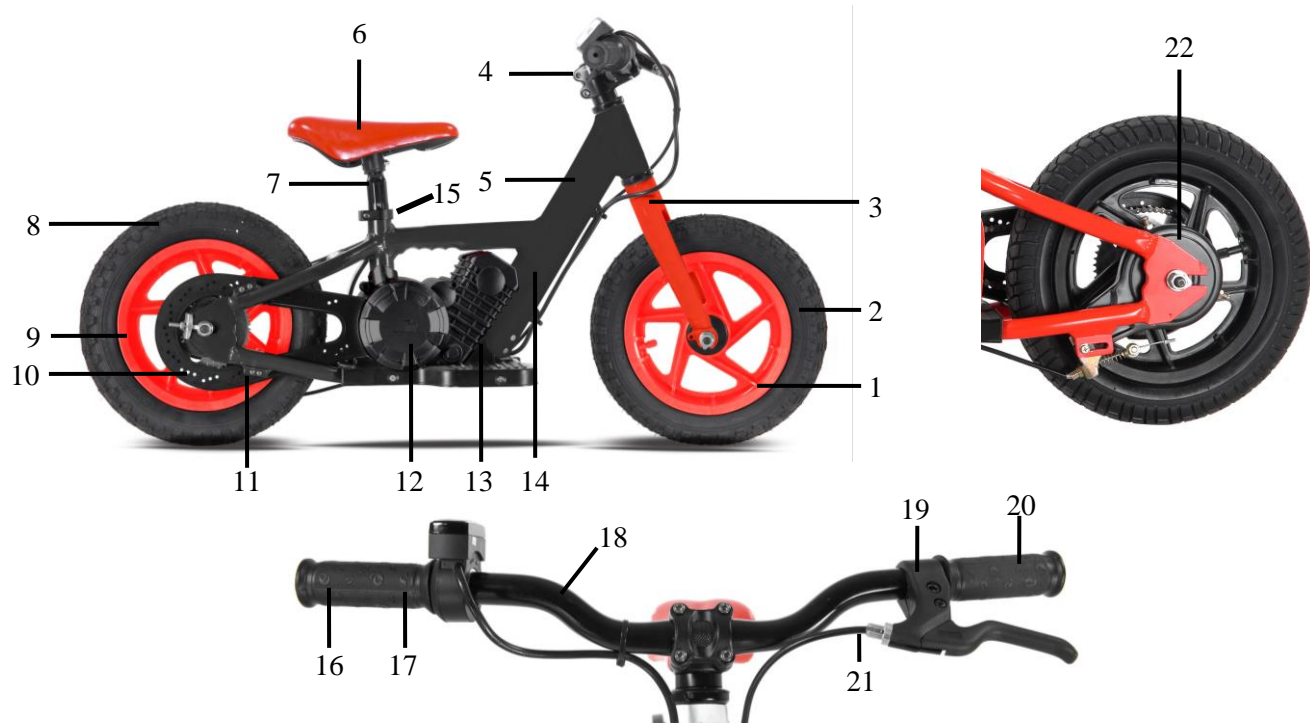
9. When the bike is with electricity but cannot drive, please turn off the power in time in case of electric components damage.

10. Please turn off the power when you get down from the bike or you are pushing it, in case that when riders push the throttle unintentionally , the bike starts suddenly and get hurt.

11. Never operate the bike if side cover and chain cover are not installed.

Do not allow hands, feet, body, clothing or other similar items to come into contact with any rotating or moving parts.

Vehicle structure



1. Front wheel 2.Tire 3.Front fork 4.Stem 5. Frame 6.Saddle 7. Seat post 8.Inner tube 9.Rear wheel
10.Chain adjuster 11.Chain cover 12.Side cover 13.controller 14.battery 15.seat post release 16.Right grip
17.throttle 18.Handlebar 19.Left brake lever 20.Left grip 21.Braking cable 22. Rear drum brake

1. Please take out the bike from carton, remove the packing and fix the handlebar on the stem tightly with a hex wrench.



Bike Assembling

2. installation requirements:

2.1 Handlebar needs to be symmetrical



2.2 Correct the horizontal angle, the brake level is about 45° horizontally



How to use

1. Please wear personal protective equipment, like helmet, protective glass, sneaker, glove, elbow pad, knee pad etc.
2. Throttle/Display instruction



3. Press power switch button, battery indicator light is on;
Press power switch button, battery indicator light is off;
4. Use the finger to push the throttle to control the power
5. In order to protect the safety of children, after the power switch is turned on, the display shows that the power is on, and the switch has a 5-second slow start function.

6. Speed conversion instructions :

In order to protect children and prevent riding speed from being too fast, the figure below shows the controller plug-in connection speed limit line. The plug-in speed limit line is disconnected and turned on to realize two speed modes:

Mode 1: The speed limit line is disconnected, the bike speed is 13KM/H(coowol 16":19KM/H).

Mode 2: The speed limit line is connected, the bike speed is 6.5KM/H(coowol 16":10KM/H).

The operation of this speed change switch requires an adult to operate

6.1. Detail operate process :

- 1). Disassemble the protection plate on the bottom of frame.
- 2). Then you will see the speed limit cable connectors, you can disconnected or connected to change the speed.
- 3). Open the power switch, push the throttle to check whether the speed changes or not.

How to use

Check the operate photos.



7. Start-up process: sit, push, push the throttle, brake, practice (Please wear personal protective equipment in the open air or safe place under the supervision of an adult)

Unpowered training:

- 7.1. Turn off the power.
- 7.2. Adjust the seat cushion position according to the height of the rider.
- 7.3. Use your feet on the ground to promote learning and balance.
- 7.4. Practice gliding and practice to control the turn.
- 7.5. Use the brakes to safely stop while maintaining balance.

Electric mode:

- 7.6. Turn on the power switch.
- 7.7. Turn the display to normal.
- 7.8. Place your feet on the ground, let the rider slowly move forward and practice twisting the handle and slowly accelerate.
- 7.9. Let the rider practice opening and closing the switch and safely control the brake to stop.
- 7.10. When the rider is skillful in controlling the throttle and brake skills, place your feet on the pedals.
- 7.11. Please keep a safe distance between the rider and the obstacles. Pay attention to avoiding pedestrians and pay attention to controlling the speed.
- 7.12. Pay attention to the car and then turn off the power before you can get off.

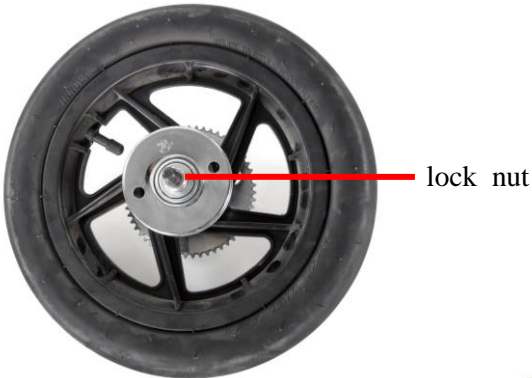
8. The bike can increase the auxiliary wheel to speed up children to learn riding

Daily maintenance

1. Chain loosening: adjust the jack screw to adjust the chain



2. After riding the bike for a period of time, if there is a wheel lock or wobble, please fine-tune the wheel lock nut



Daily maintenance

3. Braking performance adjustment: please fine-tune the brake nut



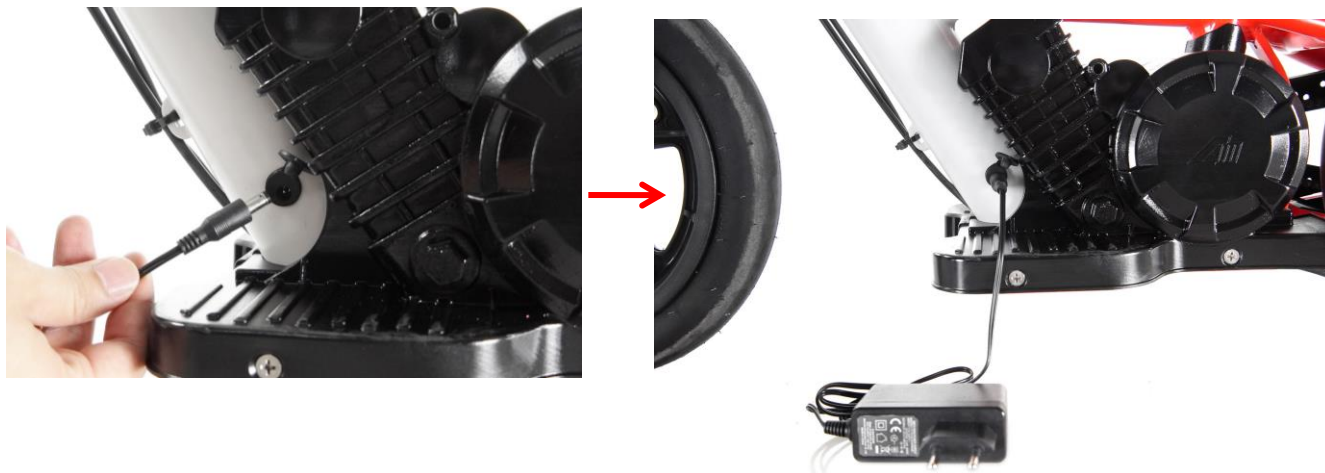
fine-tune the brake nut

Or fine-tune the braking nut on braking lever.



Daily maintenance

4. Charging battery: please open the waterproof cover of charging port, plug the charger DC head into charging port and fit the plug to the power supply.



5. Adjusting the saddle height: The seat post is prohibited from exceeding the security line.



Daily Maintenance

6. Lubrication is an important part of the maintenance of electric balance bicycle. The front axle, rear axle, and sprocket should be scrubbed every six months.

Maintenance Item	Maintenance cycle	Tools and Remark
Head parts set	One year	Grease
Front and rear axles	One year	Grease
Chain	Six months	Lubricating oil
Battery	Two months	Recharge the battery every two months if long time storage
tire pressure	One month	The tires should be inflated with compressor equipment if the air pressure is low

Daily maintenance

- 6.1. Do not drain the battery completely every time, please charge the battery when the display shows red light, which can increase the cycle life of the battery.
- 6.2. Please clean the bike regularly, to ensure the safety riding of children and also to keep the bike in the best state.
- 6.3. Please always check the performance of the brakes and ensure it's good.
Attention: please increase the braking distance in rainy, snowy days or downhill riding.
- 6.4. After each riding, please charge the battery to keep it in the best condition.
- 6.5 The front and rear wheels should adjust the lock nut regularly to prevent the wheels from locking or wobbling.